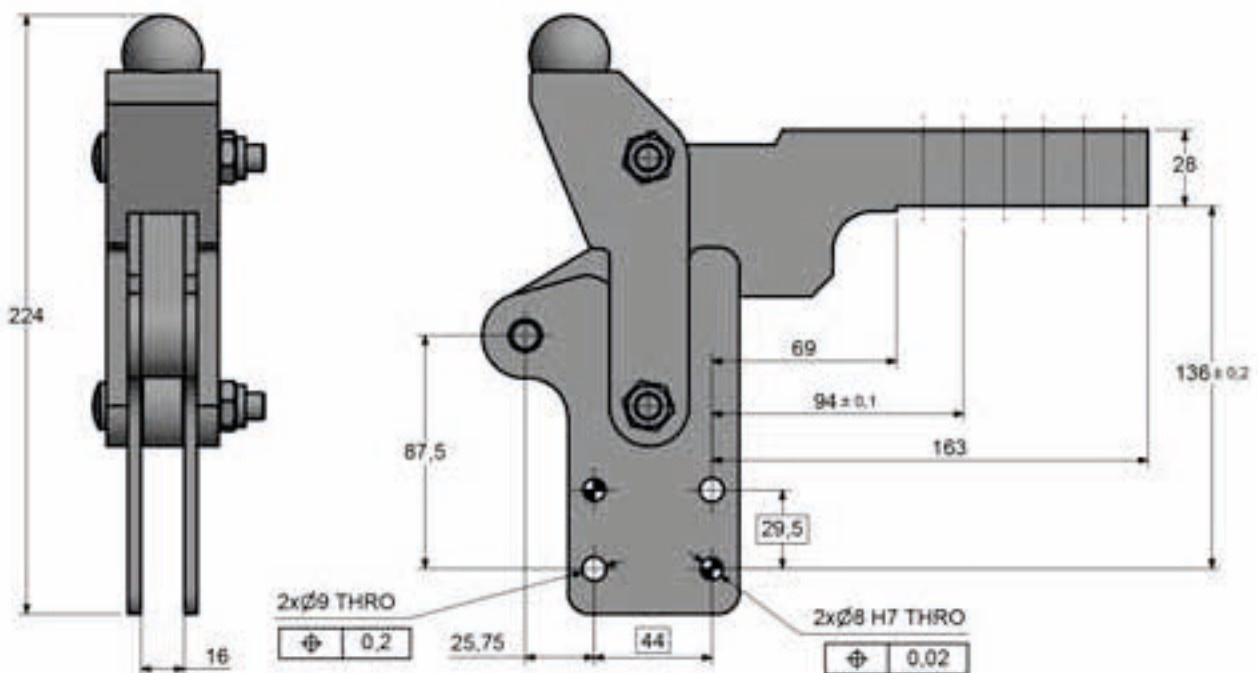
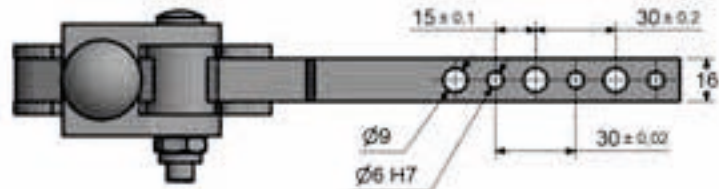
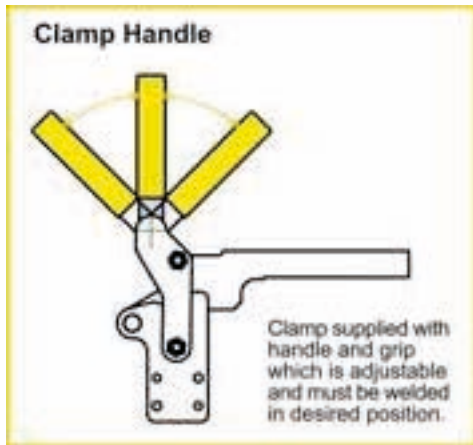


Material	Heavy gauge steel Hardened pins and bushes
Finish	Chemi-Blackened
Supplied with	-
Max holding force	2500 daN
Weight	2.8 Kgs
Stroke	-
Clamping Pressure	380 daN



VERTICAL ACTION HEAVY DUTY TOGGLE CLAMP



All basic dimensions
TS - V - HD - 1300 - 00