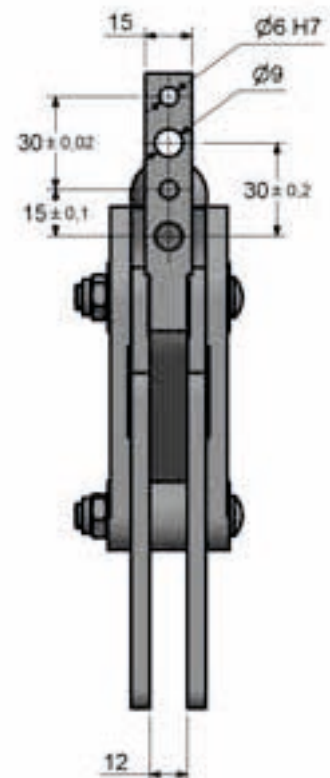
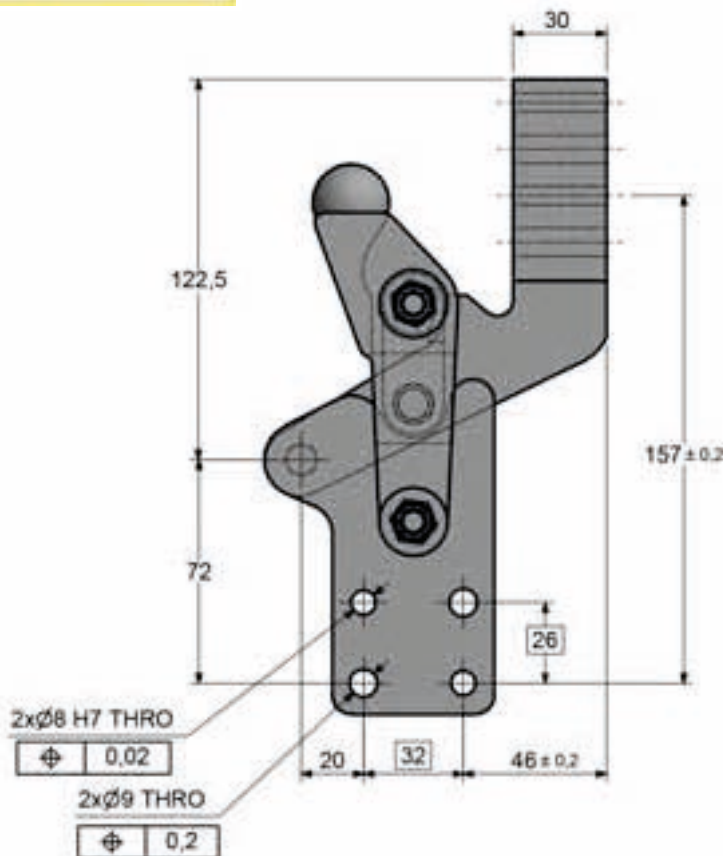
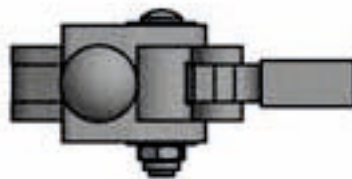
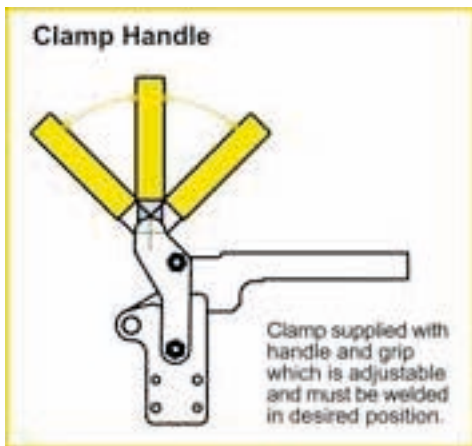




VERTICAL ACTION HEAVY DUTY TOGGLE CLAMP

Material	Heavy gauge steel Hardened pins and bushes
Finish	Chemi-Blacked
Supplied with	-
Max holding force	1300 daN close to body
Weight	1.8 Kgs
Stroke	-
Clamping Pressure	280 daN



All basic dimensions
TS - V - HD - 1300 - 00