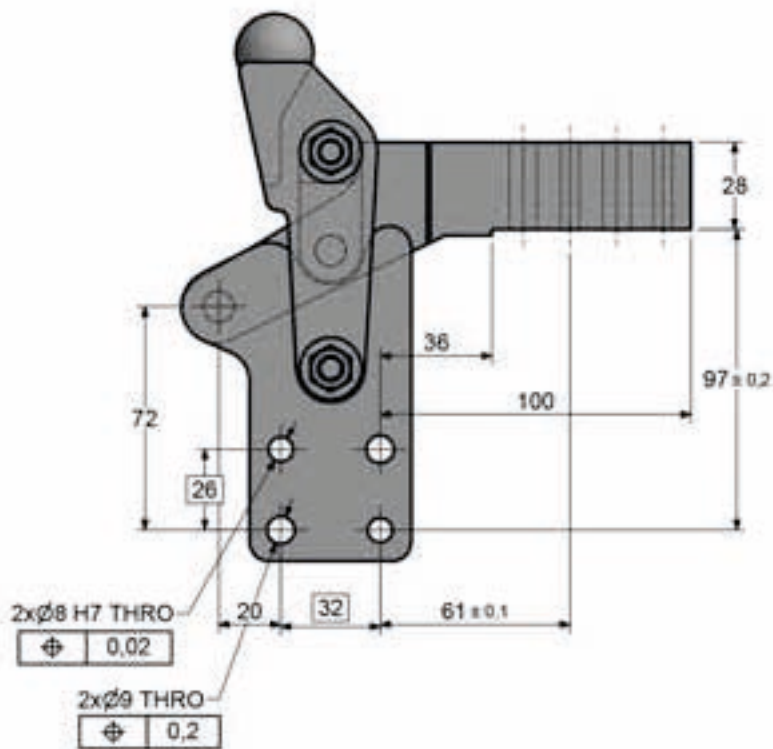
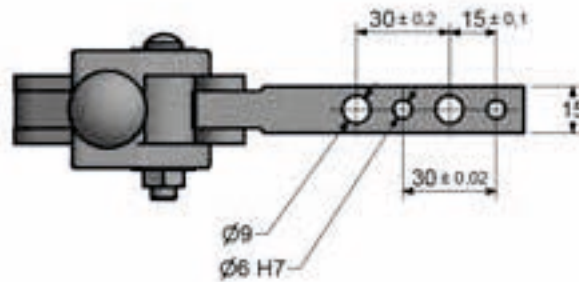
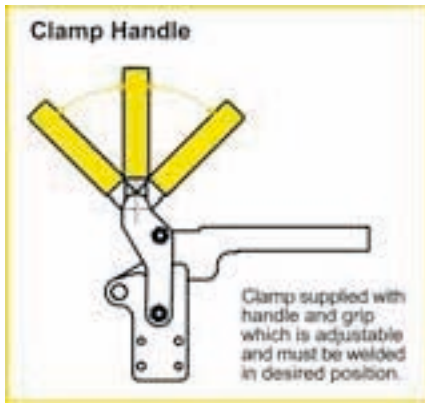


<b>Material</b>	Heavy gauge steel Hardened pins and bushes
<b>Finish</b>	Chemi-Blacked
<b>Supplied with</b>	-
<b>Max holding force</b>	1300 daN close to body
<b>Weight</b>	1.8 Kgs
<b>Stroke</b>	-
<b>Clamping Pressure</b>	280 daN



**VERTICAL ACTION HEAVY DUTY TOGGLE CLAMP**



All basic dimensions  
TS - V - HD - 1300 - 00