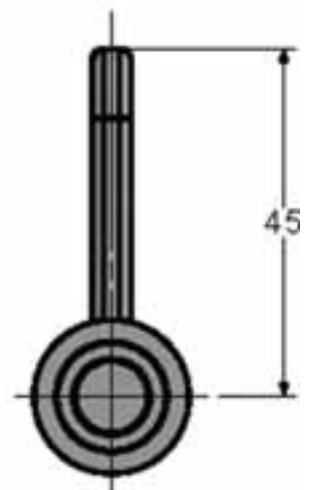
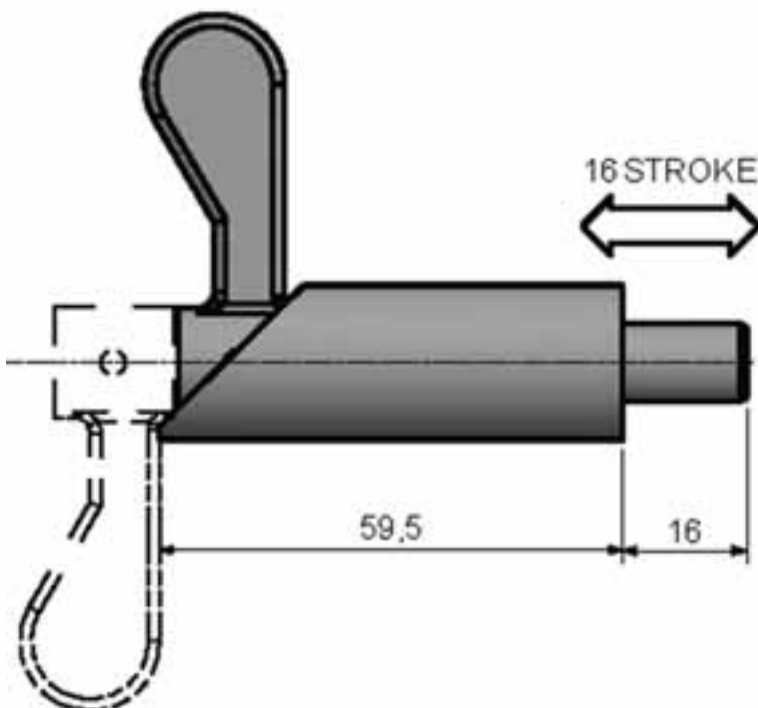
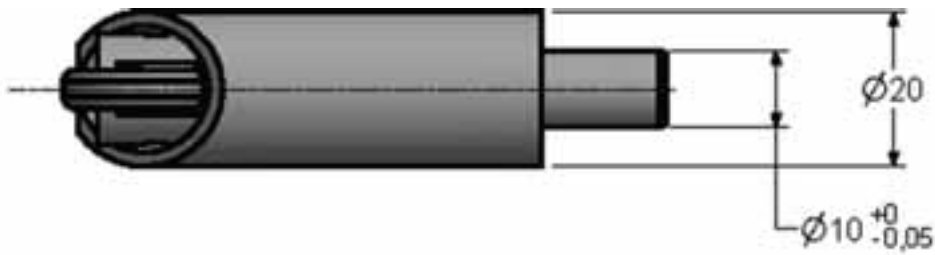


<b>Material</b>	Heavy gauge steel
<b>Finish</b>	-
<b>Supplied with</b>	-
<b>Max holding force</b>	-
<b>Weight</b>	0.14 Kgs
<b>Stroke</b>	13 mm
<b>Clamping Pressure</b>	-



**LOCATORS**