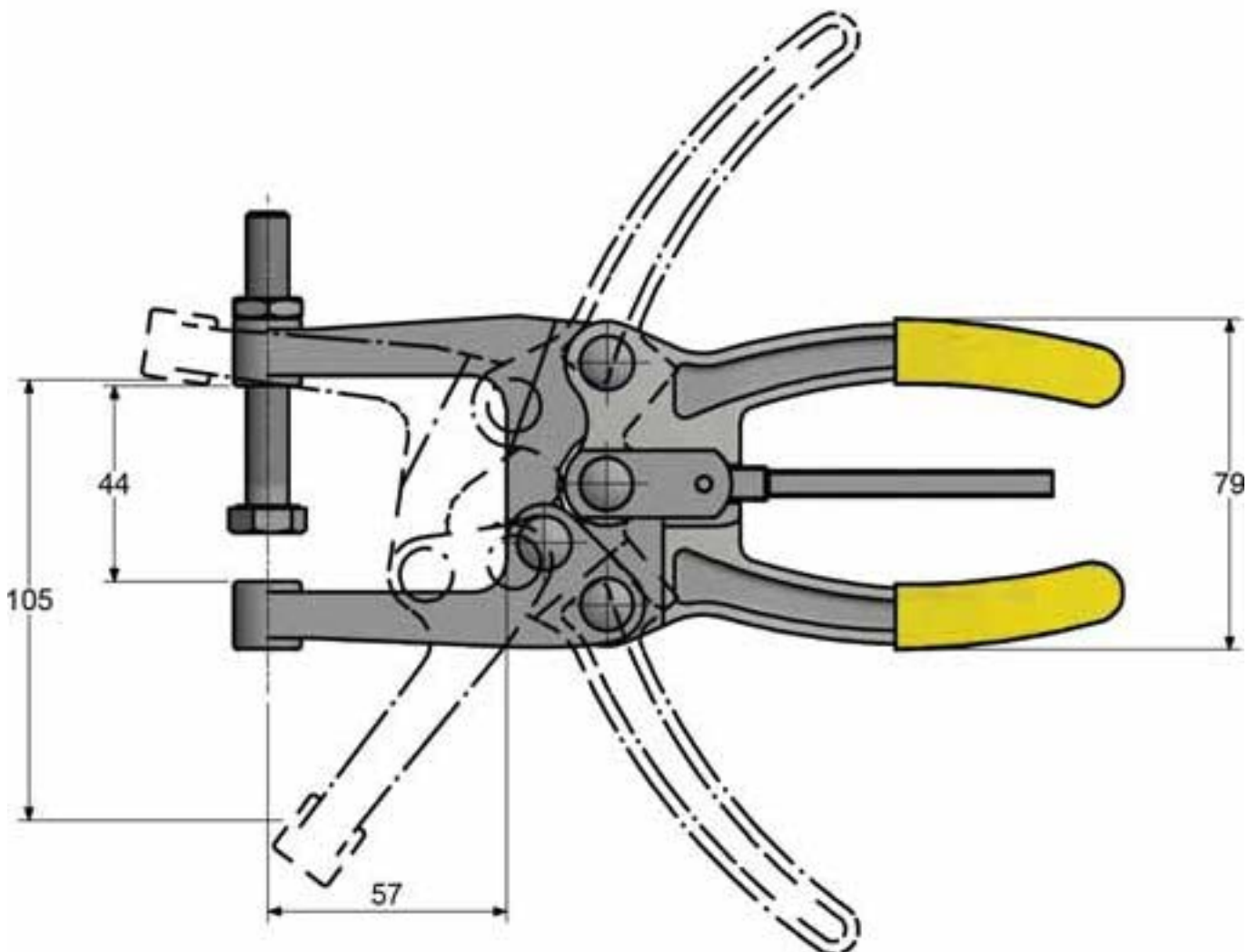
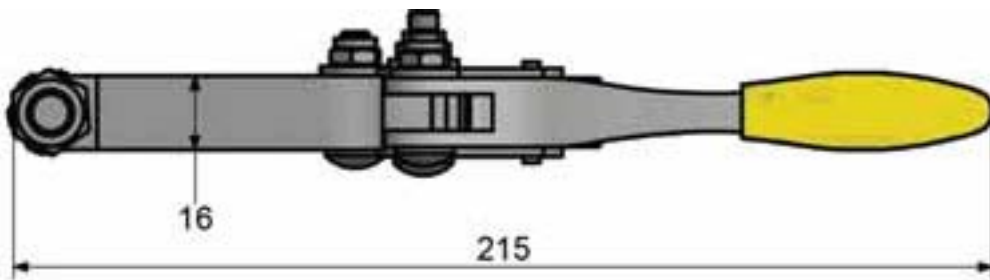




TS - G - 545 - JW44 357910



Material	Heavy gauge steel Hardened pins and bushes
Finish	Zinc Plated
Supplied with	10x70 mm spindles
Max holding force	545 daN
Weight	0.9 Kgs
Stroke	-
Clamping Pressure	250 daN



PLIER ACTION