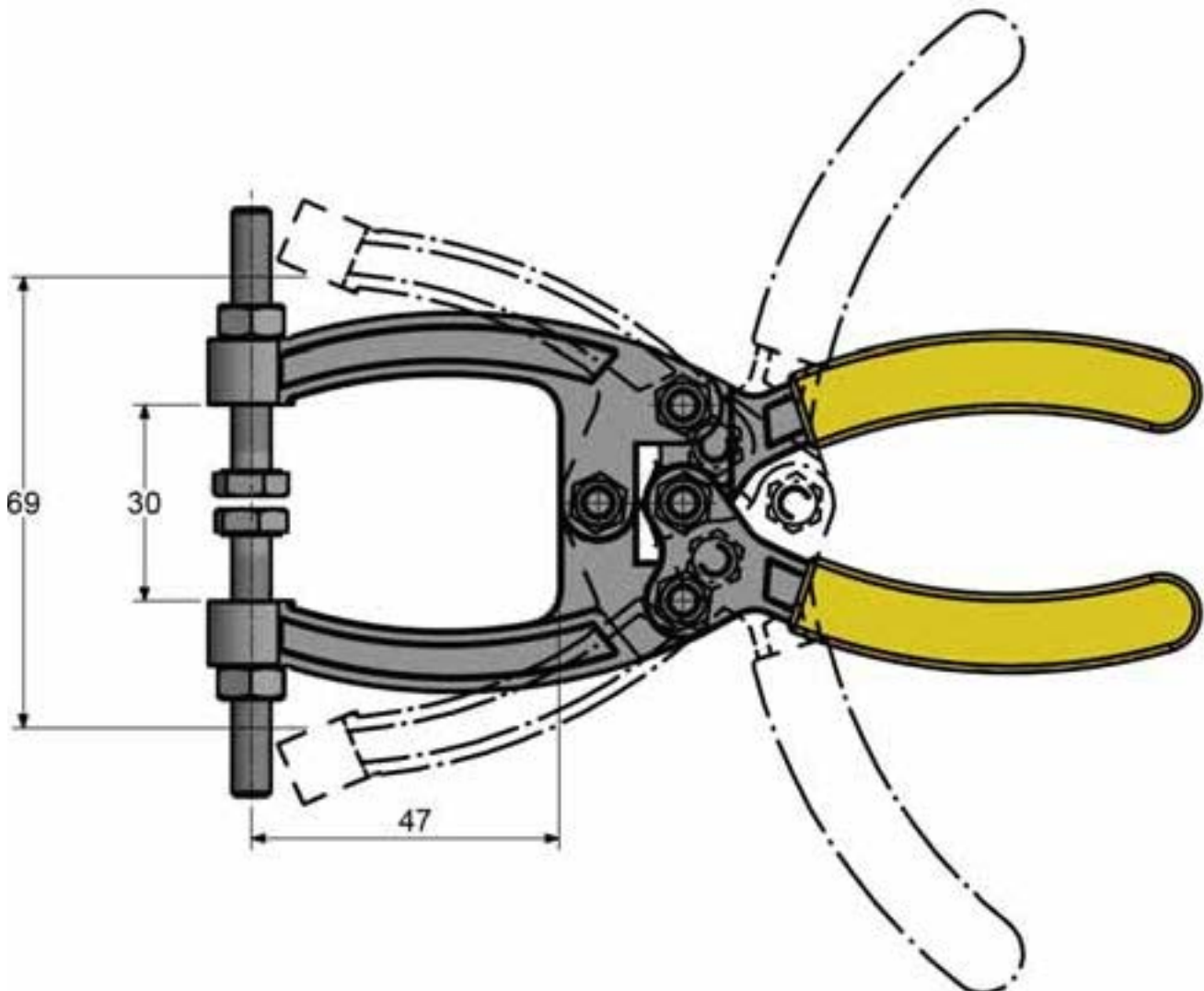
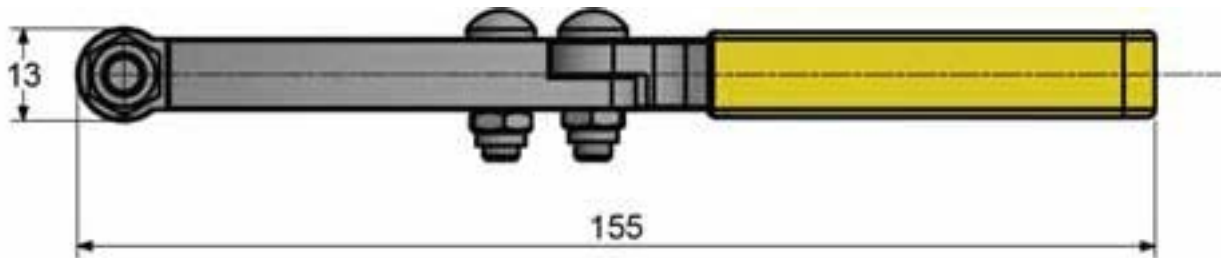




Material	Heavy gauge steel Hardened pins
Finish	Zinc Plated
Supplied with	6x40 mm spindles
Max holding force	150 daN
Weight	0.27 Kgs
Stroke	-
Clamping Pressure	80 daN



PLIER ACTION